

• **Open case DIN rail mounting**

Output power : 50 Watts total
 1 or 2 isolated outputs

• **Input 230Vac / 115Vac / 400Vac +/-15%**

• **AL140-fil**

Rectifying and filtering version
 electrotechnics applications

• **AL140-reg**

version with linear regulator
 Low noise, stable and adjustable output
 Linear technology no switching noise.



Strong industrial medium power linear power supply. Available in filtering version or with stable and low noise linear

Description:

- The filtering power supplies are suitable for electrotechnics applications (switches, relays, contactors, ...)
- the linear regulated power supply are designed for application with a high level of reliability or a voltage output with a low level of noise.

Technical characteristics:

- 1 or 2 isolated output. Allowing coupling in series or parallel of output to obtain an exotic output
- All voltage output available on request. from 0 to 127Vdc
- Protected against short circuit,
- Adjustable voltage output, regulated.
 accuracy +/- 2 % typical,
 stability greater than 0.5% , ripple < 50mV.

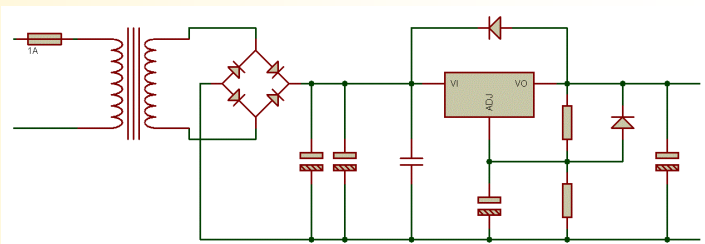
Feature:

- DIN rail mounting
- Protection rating : without (open case)
- protection of electronic with conformal coating
- Green led for main voltage presence,
- Connection by screw terminals, wire section up to 2.5 mm².

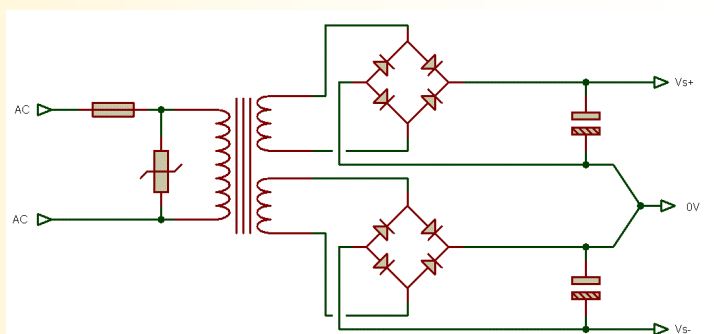
Installation recommendation:

- primary protection with fuse recommended (delayed 2A)
- install the module in space allowing a natural convection.

Synoptic for regulated version



Synoptic for filtering version



Version and order code:

[Request a quote](#)

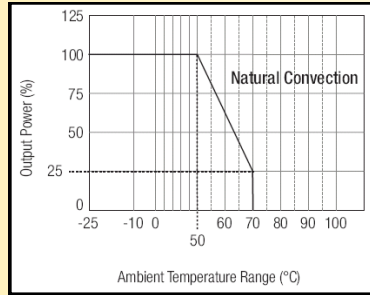
AL140 (reg / fil)-N-U-i :

- linear version up to 50 Watts. DIN rail profile 140mm width
- **reg** : regulated version
- **fil** : filtering version
- **N** : number of output (1 to 2)
 (nominal 25 watts per output, up to 50 watts by coupling)
- **U** : voltage output : 1,2 Vdc to 250 Vdc
- **i** : current output : according to the voltage output

Power supply /Output

Voltage input 230VAC, 115Vac, 400Vac, +/-15% 60 VA
 Frequency input 45....65Hz
 Typical efficiency 70%
 Inrush current 1A typical

Output accuracy ±2% max.
 Load regulation ±1% max. (full load)
 Output ripple < 100mVeff max (limited to 20MHz)
 continuous short circuit protected, automatic restart
 Overload protection 105% typ.
 Output old time 100ms typ.



Output power characteristic vs ambient temperature

ENVIRONMENT

Operating temperature -25 °C to 60 °C (natural convection)
 Thermal protection 100°C internal
 Storage temperature -25 °C to 105 °C
 Humidity 85 % (not condensed)

temperature regulation +/-0.2 %/°C typical

Insulation resistance 100 MΩ min.
 Dielectric strength 2500VAC (input / output)

Weight 700g

MTBF (+25°C) > 300 000 hours

Electromagnetic compatibility 2014/30/UE / Low Voltage Directive 2014/35/UE

Immunity standard for industrial environments EN 61000-6-2		Emission standard for industrial environments EN 61000-6-4
EN 61000-4-2 ESD	EN 61000-4-8 AC MF	EN 55011 group 1 class A
EN 61000-4-3 RF	EN 61000-4-9 pulse MF	
EN 61000-4-4 EFT	EN 61000-4-11 AC dips	
EN 61000-4-5 CWG	EN 61000-4-12 ring wave	
EN 61000-4-6 RF	EN 61000-4-29 DC dips	



WIRING AND OUTLINE DIMENSIONS:

